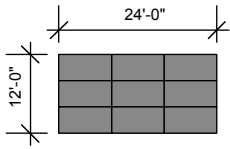
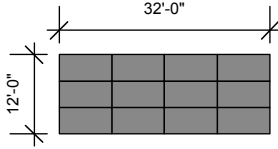
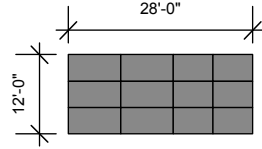
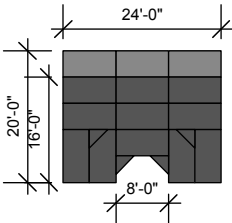
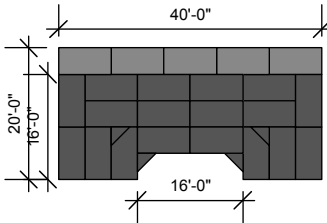
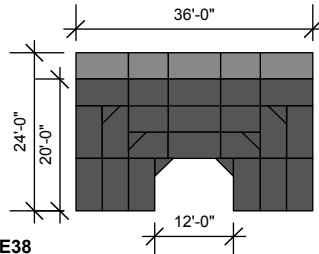


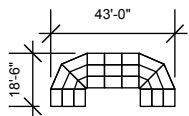
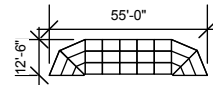
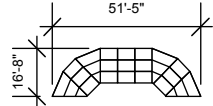
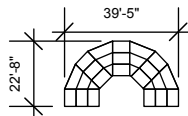
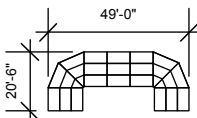
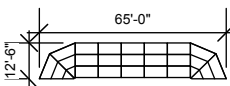
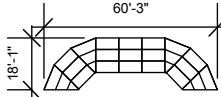
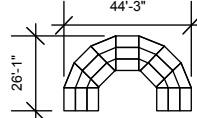
Sample Straight Configurations

3 SB8	4 SB8	2 SB8/ 2SB6
		
<p>3 SB8</p> <p>Seating Capacity: 27 people Does not include percussion section or floor seating</p>	<p>4 SB8</p> <p>Seating Capacity: 36 people Does not include percussion section or floor seating</p>	<p>2 SB8 and 2 SB6</p> <p>Seating Capacity: 30 people Does not include percussion section or floor seating</p>

Sample Rectangular Configurations

SBRE31	SBRE34	SBRE38
		
<p>SBRE31</p> <p>Seating Capacity: 24 people Does not include percussion section or floor seating</p>	<p>SBRE34</p> <p>Seating Capacity: 36 people Does not include percussion section or floor seating</p>	<p>SBRE38</p> <p>Seating Capacity: 44 people Does not include percussion section or floor seating</p>

Sample Curved Configurations

Horseshoe	Winged	Arc	Semi Circle	Seating Capacity Based on 24" Chair Spacing
				<p>SBRE4</p> <p>Seating Capacity: Not Using Floor: 54 One Row on Floor: 64</p> <p>Standard Sections Included: 5-6' Straight Sections 4 - Pie Sections</p>
				<p>SBRE8</p> <p>Seating Capacity: Not Using Floor: 69 One Row on Floor: 64</p> <p>Standard Sections Included: 5-8' Sections 4 -Pie Sections</p>